

UKL AV and AVA are meant to remove air automatically from steam spaces.

- Air is a harmful ingredient in steam going to process areas.
- Presence of air aids corrosion and leakage from pipelines and from vessels.
- Air can enter steam space through Boiler Feed Water circuit.
- Air can enter from atmosphere when steam condenses over long stoppages.

Features:-

- Air Vent can be supplied as a loose product to be fitted as required.
- Air Vent Assembly is supplied as a complete assembly to be fitted on a pipeline or a vessel.
- Assembly includes an air collector bottle and an automatic air vent with a piston valve for isolation.
- Thermostatic Air vent removes the air automatically and closes when in contact with steam.
- Improves Heat transfer rates and ensures uniform heating
- Avoids corrosion in system

MATERIAL OF CONSTRUCTION :-
Carbon Steel

SIZES AVAILABLE :-
1/2" and 3/4"

INSTALLATION :-
Preferably in Vertical position.

OPERATING CONDITIONS :-
AIR VENT ASSEMBLY (UAVA) :-
 Maximum Operating Pressure : 149.36 psi
 Maximum Operating Temperature : 356 °F

AIR VENT (UAV) :-
 Maximum Operating Pressure : 455 psi
 Maximum Operating Temperature : 464 °F

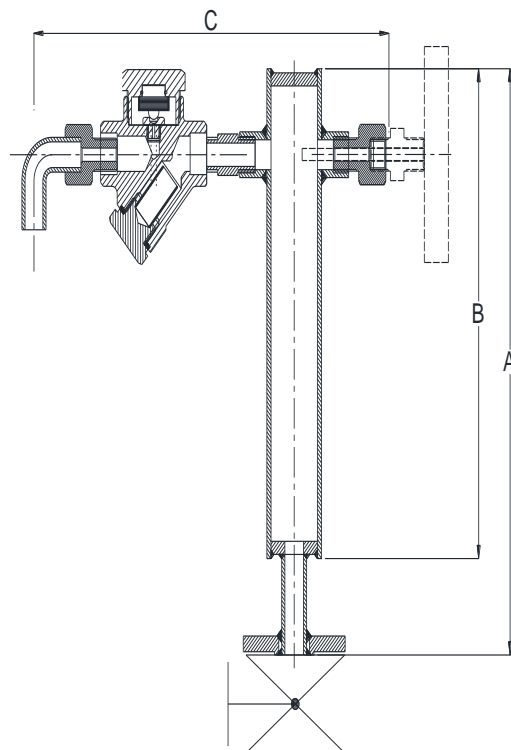
OPTIONAL :-

IBR/Non-IBR

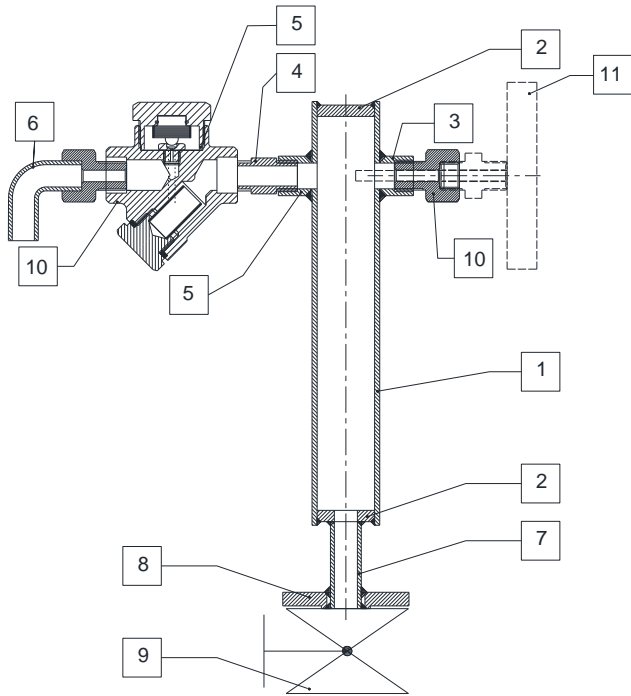
Available as Air Vent (UAV)/ Air vent Assembly(UAVA)

UAVA	A	B	C	Weight(lb)
1/2"	14.17	11.8	10.24	6.9
3/4"	14.17	11.8	10.24	7.4

UAV	Weight(lb)
1/2"	2.2
3/4"	2.2

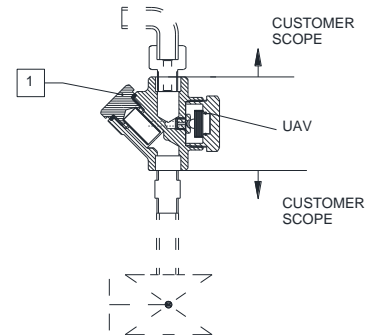


BILL OF MATERIAL:-



UKL AIR VENT ASSEMBLY (UAVA)			
NO	PART NAME	MATERIAL	CODE
1	SEAMLESS PIPE 1½"	CARBON STEEL	ASTM A 106 Gr.B
2	END PLATE	CARBON STEEL	ASTM A 515 Gr.60
3	HALF COUPLING	FORGED STEEL	ASTM A 105
4	DOUBLE ENDED NIPPLE	FORGED STEEL	ASTM A 105
5	AIR VENT	FORGED STEEL	ASTM A 105
6	BEND	CARBON STEEL	ASTM A 106 Gr.B
7	SEAMLESS PIPE ½"	CARBON STEEL	ASTM A 106 Gr.B
8	SORF/SWRF FLANGE	CARBON STEEL	ASTM A 105
9	PISTON VALVE	CAST STEEL	ASTM A 216 Gr.WCB
10	CONNECTOR	FORGED STEEL	ASTM A 105
11	TEMP. GAUGE	SS	SS

UKL AIR VENT (UAV):-			
PART No.	PART NAME	MATERIAL	CODE
1	THERMOSTATIC AIR VENT	FORGED STEEL	ASTM A 105



SPARES Available-

Thermostatic Trap- ½" / ¾"

Piston Valve - ½" / ¾"

HOW TO ORDER :-

UKL AIR VENT ASSEMBLY ½" TEMP GAUGE

PLEASE SPECIFY AIR VENT OR AIR VENT ASSEMBLY

Other Products: 

Cast / Forged Steel Piston Valves, Bellow seal valves, High Pressure valves (Gate/Globe), Strainers – "Y" Type Steam Traps (Thermodynamic, Thermostatic, Ball Float Traps), Pressure Reducing Station, Condensate Recovery Products. Level Gauges (Reflex, Transparent, Bicolor), Sight Glass, Hot Water Generation System, Safety and Relief Valves. **FSD Products** : Compressed Asbestos / Non Asbestos Fiber Sheetting / Cut Gaskets, Spiral Wound Gaskets.

In view of technical progress designs and dimensions are subject to change without notice.

UKL

UNI KLINGER LIMITED

A joint venture of the Neterwala group of companies and KLINGER AG, Switzerland.



HARSH ENGINEERING SALES & SERVICE PVT. LTD

Only Authorized Dealers for UNI KLINGER products, Telangana

Add: 2-3-692/22/13 Lal Bagh, Zinda Tillismath Road, Ganga Nagar, Amberpet, Hyderabad - 500013

Tel: +91-40-2740 3329 | Website: harsh-engineering.com | E-mail: sales@harsh-engineering.com