

### UKL AIR ELIMINATOR TRAP :-

UKL Air Eliminator trap removes the trapped air from liquid lines/process equipments. Air is a harmful ingredient in steam going to process areas. Presence of air aids corrosion and leakage from pipelines and from vessels. Air can enter steam space through Boiler Feed Water circuit. Air can enter from atmosphere when steam condenses over long stoppages.

During start up when the air from liquid lines/process equipment enters Air eliminator trap, it passes through outlet port, when the liquid enters the Air Eliminator Trap the float rises and closes the outlet port and restrict the liquid to flow out.

### MATERIAL OF CONSTRUCTION:

CAST IRON MODEL

UAET-14 Model- IS 210 FG260

CAST CARBON STEEL MODEL

UAET- 20 Model- ASTM A216 Gr. WCB

### OPERATING CONDITIONS:-

UAET-14 CAST IRON MODEL

Max Operating Pressure :- 13.26 Kg/cm<sup>2</sup>

Max Operating Temperature :- 220 °C

### UAET-20 CAST CARBON STEEL MODEL

Max Operating Pressure :- 32 Kg/cm<sup>2</sup>

Max Operating Temperature :- 425 °C



### SIZES AVAILABLE:-

UAET-14 Model: 15 NB, 20 NB and 25 NB

UAET-20 Model: 15 NB, 20 NB and 25 NB

### OPTIONAL:-

IBR/Non-IBR

Inbuilt Strainer

Flanged End #150/#30

Available Diff. Pressure (Kg/cm<sup>2</sup>)

UAET-14 Model :- 4.5/10/14

UAET-20 Model :- 4.5/10/14/21/32

### END CONNECTIONS:

UAET-14 CAST IRON MODEL

Threaded to NPT, BSP and BSPT.

### UAET-20 CAST CARBON STEEL MODEL :-

Threaded to NPT, BSP and BSPT.

Socket Weld to ASME B 16.11

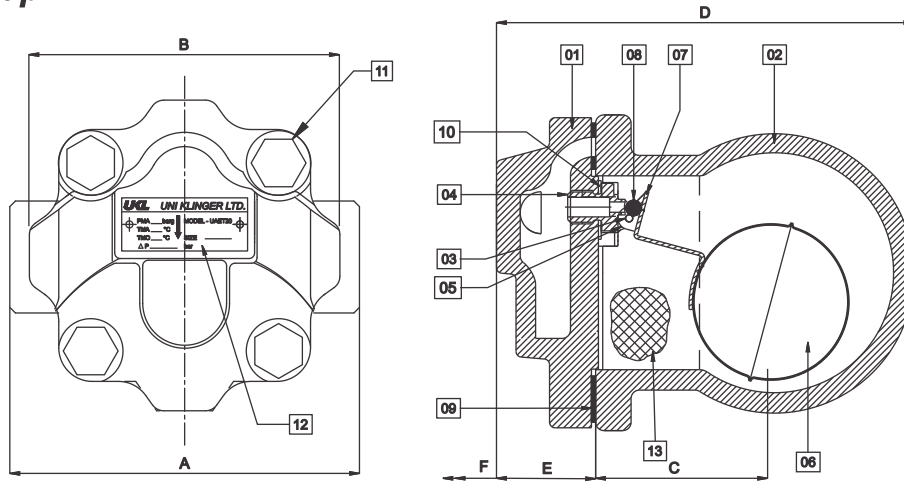
Flanged End #150/#300 (On Request)

Model	Max Diff Pressure	PMO (Kg/cm <sup>2</sup> )	Sat. Temp °C
UAE T - 14 - 4.5	4.5 Kg/cm <sup>2</sup>	14	193
UAE T - 14 - 10	10 Kg/cm <sup>2</sup>	14	193
UAE T - 14 - 14	14 Kg/cm <sup>2</sup>	14	193
UAE T - 20 - 4.5	4.5 Kg/cm <sup>2</sup>	32	237
UAE T - 20 - 10	10 Kg/cm <sup>2</sup>	32	237
UAE T - 20 - 14	14 Kg/cm <sup>2</sup>	32	237
UAE T - 20 - 21	21 Kg/cm <sup>2</sup>	32	237
UAE T - 20 - 32	32 Kg/cm <sup>2</sup>	32	237

### INSTALLATION :-

Horizontal/Vertical position.

# Air Eliminator Trap UAET



## BILL OF MATERIAL:

No.	PART NAME	MATERIAL	MATERIAL CODE	MATERIAL	MATERIAL CODE
1	Body	Cast Steel	ASTM A 216 Gr WCB	Cast Iron	IS 210 FG 260
2	Cover	Cast Steel	ASTM A 216 Gr WCB	Cast Iron	IS 210 FG 260
3	Pivolt Pin	SS	AISI 304	SS	AISI 304
4	Valve Seat	SS	AISI 304	SS	AISI 304
5	Pivot Bracket	SS	AISI 304	SS	AISI 304
6	Float Halves	SS	AISI 304	SS	AISI 304
7	Lever	SS	AISI 304	SS	AISI 304
8	Steel Ball	SS	SS 440C	SS	SS 440 C
9	Cover Gasket	CAF	CAF	CAF	CAF
10	Valve Seat Gasket	SS	AISI 304	SS	AISI 304
11	Cover Bolt (M10)	Carbon Steel	Gr. 8.8	Carbon Steel	Gr. 8.8
12	Name Plate	SS	AISI 304	SS	AISI 304
13	Strainer	SS	AISI 304	SS	AISI 304

## Screwed / Socket Weld End Connections

Size	Diff Pressure	A	B	C	D	E	F	Weight (kg)
15 NB	4.5/10/14 Kg/cm <sup>2</sup>	128	111	68	179	30	110	3.500
20 NB		128	111	68	179	30	110	3.500
25 NB		153	111	75	202	30	130	5.000

## Other Products:



Cast / Forged Steel Piston Valves, Bellow seal valves, High Pressure valves (Gate/Globe), Strainers – “Y” Type, ITVS Steam Traps (Thermodynamic, Thermostatic, Ball Float Traps and IBT), Pressure Reducing Station, Condensate Recovery Products. Level Gauges (Reflex, Transparent, Bicolor), Sight Glass, Hot Water Generation System, Safety and Relief Valves.

**FSD Products:** Compressed Asbestos / Non Asbestos Fiber Sheetting / Cut Gaskets, Spiral Wound Gaskets / Gland Packing

In view of technical progress designs and dimensions are subject to change without notice.



## UNI KLINGER LIMITED

A joint venture of the Neterwala group of companies and KLINGER AG, Switzerland.



## HARSH ENGINEERING SALES & SERVICE PVT. LTD

Only Authorized Dealers for UNI KLINGER products, Telangana

Add: 2-3-692/22/13 Lal Bagh, Zinda Tillismath Road, Ganga Nagar, Amberpet, Hyderabad - 500013  
Tel: +91-40-2740 3329 | Website: harsh-engineering.com | E-mail: sales@harsh-engineering.com