

**UKL Strainers** help collect and subsequently remove pipeline debris such as scale, rust, jointing compound and weld metal in pipelines, thus protecting expensive and critical equipment and processes. Damage to the plant is frequently caused by such pipeline contaminants which may find their way into the pipeline system.

**Y-Type Strainers** are the most economical choice for large debris removal. They are most common type of strainers used in pressurized fluid lines, and also find wide usage in suction or vacuum conditions.

**UNI Klinger** make Y-type strainers comply with the requirement of the European Pressure Equipment Directive 97/23/EC and carry CE mark when so required. Products fall within the PED categories I to III.

**Features:-**

- UKL Strainers can be used in liquid as well as gas lines.
- UKL Strainers is suitable for Hazardous Environment.
- Maintenance free and long life.

**MATERIAL OF CONSTRUCTION:**

15 NB to 40 NB ASTM A 105

50 NB to 300 NB ASTM A216 Gr. WCB

\*ASTM A 182 Gr.F304/F316 and ASTM A 351 CF8/CF8M

(Available on customer Request)

**SIZES AVAILABLE:-**

15 NB to 300 NB

**END CONNECTIONS:**

Flanged Ends: 15 NB to 300NB

Butt Weld Ends: 50NB to 300 NB

Pressure Rating : ANSI #150/#300

**INSTALLATION:-**

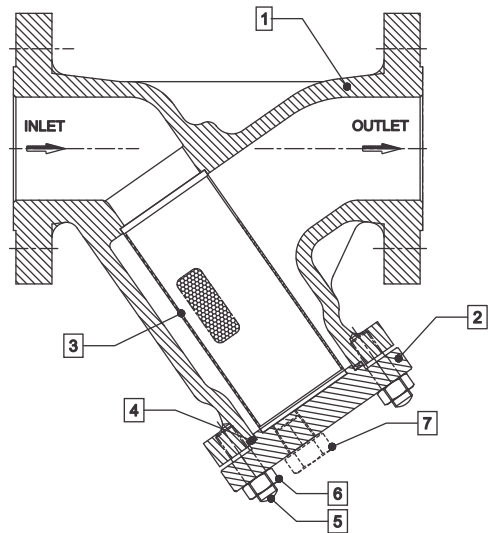
Preferably in Horizontal position.

**OPTIONAL:-**

IBR/Non-IBR

**Mesh Size Available-**

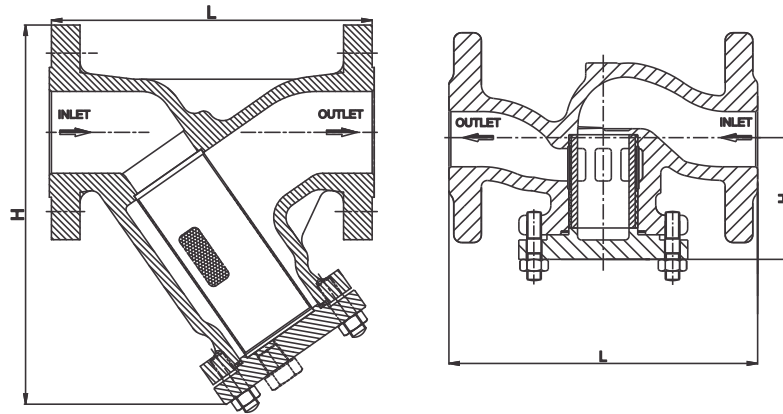
40 (Std) /60/80/100/120/200



**BILL OF MATERIAL:-**

Sr	Component	Material Forged Y Type	Material Cast Y and T Type
1	Body	A105/A182 F304	WCB/CF8/CF8M
2	Cover	A105/A182 F304	WCB/CF8M
3	Strainer Screen	AISI 304	AISI 304
4	Gasket	Spiral wound Gasket	SPW Gasket + Graphite Filler
5	Stud	ASTM A 193 GR.B7 / B8	ASTM A 193 GR.B7 / B8
6	Nuts	ASTM A 194 GR.2H / GR.8	ASTM A 194 GR.2H / GR.8
7	Drain plug		A105/AISI 304

# UKL Strainer T and Y Type SRM / SRF / USRM / USY



Dimensions (mm)								
Y Type Forged			Y Type Cast			T Type Cast		
	#800		#150	#300		#150	#300	
Size	L	H	L	L	H	L	L	H
15	100	80	-	-	-	107.95	152.4	66
20	120	98	-	-	-	117.35	177.8	73
25	135	135	-	-	-	127	203.2	85
32	-	-	-	-	-	139.7	215.9	95
40	185	152	-	-	-	165.1	228.6	112
50	-	-	229	267	190	203.2	266.7	112
65	-	-	-	-	-	215.9	292.1	162
80	-	-	318	318	270	241.3	317.5	179
100	-	-	368	356	305	292.1	355.6	197
125	-	-	-	-	-	355.6	400.05	226
150	-	-	470	445	400	406.4	444.5	246
200	-	-	597	559	490	495.3	558.8	297
250	-	-	694	730	670	# #	# #	# #
300	-	-	810	850	800	# #	# #	# #

# # Note : Consult Factory for dimensions and sizes above 300 NB

Class	Temperature	38°C
#150	Pressure	20
#300	(kg/cm <sup>2</sup> )	52.1

#### AVAILABLE SPARES:

Strainer Screen

Cap / Cover gasket

40/60/80/100/120/200

Other Products: 

Cast / Forged Steel Piston Valves, Bellow seal valves, High Pressure valves (Gate/Globe), Strainers – “Y” Type, ITVS Steam Traps (Thermodynamic, Thermostatic, Ball Float Traps and IBT), Pressure Reducing Station, Condensate Recovery Products. Level Gauges (Reflex, Transparent, Bicolor), Sight Glass, Hot Water Generation System, Safety and Relief Valves.

**FSD Products :** Compressed Asbestos / Non Asbestos Fiber Sheetting / Cut Gaskets, Spiral Wound Gaskets / Gland Packing

In view of technical progress designs and dimensions are subject to change without notice.

**UKL**

**UNI KLINGER LIMITED**

A joint venture of the Neterwala group of companies and KLINGER AG, Switzerland.



**HARSH ENGINEERING SALES & SERVICE PVT. LTD**

Only Authorized Dealers for UNI KLINGER products, Telangana

Add: 2-3-692/22/13 Lal Bagh, Zinda Tilismath Road, Ganga Nagar, Amberpet, Hyderabad - 500013

Tel: +91-40-2740 3329 | Website: harsh-engineering.com | E-mail: sales@harsh-engineering.com